



"PK" Series – Right Angle ServoFit® Precision Planetary Gearhead Dimensional Data

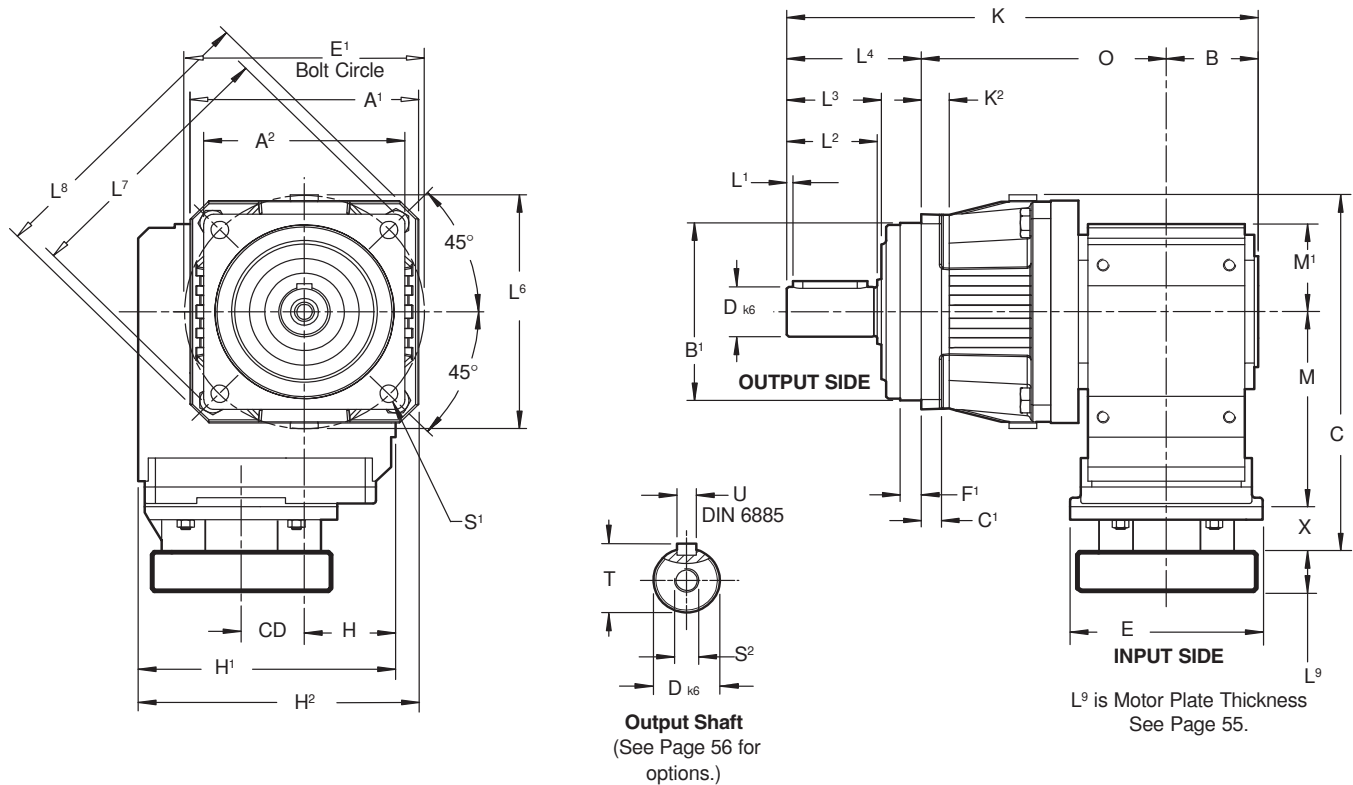


Table No. 1 "PK" Series – ServoFit Precision Planetary Gearhead Dimensions (mm)

Unit	A ¹	A ²	B	B ¹	h ₆	C ¹	D _{k6}	E ¹	F ¹	H	H ¹	H ²	K	K ²	
P521S_K102	115	101	56	90	+0.000/-0.022	10	32	+0.018/+0.002	120	15	60	160	160.5	283	14
P721S_K102	145	145	56	130	+0.000/-0.025	15	40	+0.018/+0.002	165	3.5	60	160	172.5	318	—
P721S_K202	145	145	70	130	+0.000/-0.025	15	40	+0.018/+0.002	165	3.5	65	190	207.5	346	—
P821S_K202	190	190	70	160	+0.000/-0.025	15	55	+0.021/+0.002	215	10	65	190	230	384.5	—
P821S_K302	190	190	76	160	+0.000/-0.025	15	55	+0.021/+0.002	215	10	75	213	233	398	—
P921S_K402	225	212	90	180	+0.000/-0.025	17	75	+0.021/+0.002	250	10	90	240	262.5	490.5	22

Table No. 2 "PK" Series – ServoFit Precision Planetary Gearhead Dimensions (mm)

Unit	L ¹	L ²	L ³	L ⁴	L ⁶	L ⁷	L ⁸	M ¹	O	S ¹	S ²	T	U
P521S_K102	3	58	60	88	121	139	149	60	139	9	M12x28	35	A10x8x50
P721S_K102	4	82	85	112	145	—	190	60	150	11	M16x36	43	A12x8x70
P721S_K202	4	82	85	112	145	—	190	65	164	11	M16x36	43	A12x8x70
P821S_K202	6	82	85	112	190	—	250	65	202.5	13.5	M20x42	59	A16x10x70
P821S_K302	6	82	85	112	190	—	250	75	210	13.5	M20x42	59	A16x10x70
P921S_K402	6	105	109	143	225	285	300	90	257.5	17.5	M20x42	80	A20x12x90



"PK" Series – Right Angle ServoFit® Precision Planetary Gearhead Dimensional Data



PK

Table No. 3
"MT" Motor Plate Dimensions (mm)

Motor Adapter	Motor Shaft D ⁶ Max. ¹⁾	Thickness ²⁾ L ⁹ Min.	E	X	Wt. lbs.
MT10	19	21	140	40	5
MT20	24	24	160	50	8
MT30	38	25	200	60	12
MT40	48	33	250	89	18

- ¹⁾ If an adapter bushing is required it will be supplied as a component of the motor mounting plate.
²⁾ Motor plate maximum thickness (L⁹) will vary with motor shaft length but will not be less than shown.

Table No. 4 **"PK" Series – ServoFit Precision Planetary Gearhead (mm)**

Base Module	MT10			MT20			MT30			MT40			Wt. lbs.
	CD	C	M	CD	C	M	CD	C	M	CD	C	M	
P5_K102	36	224.5	124	36	238.5	128	—	—	—	—	—	—	31
P7_K102	36	236.5	124	36	250.5	128	—	—	—	—	—	—	31
P7_K202	46	255.5	143	46	269.5	147	46	281.5	149	—	—	—	40
P8_K202	46	278	143	46	292	147	46	307	149	—	—	—	40
P8_K302	52.5	298	163	52.5	312	167	52.5	324	169	—	—	—	67
P9_K402	—	—	—	60	349.5	187	60	361.5	189	60	393.5	192	93

Part No. Example

P521SPR0050K102VF0060MT20

Specify: Mounting Position
 Side 3 or 4 for P
 Paint, if not *Black*
 Motor Information

See Page 54 for Options and Part Number Configuration.