

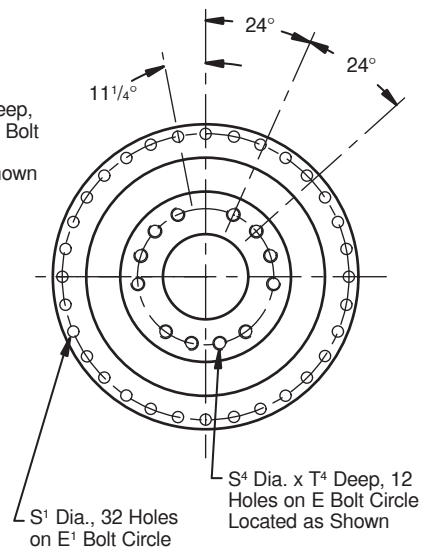
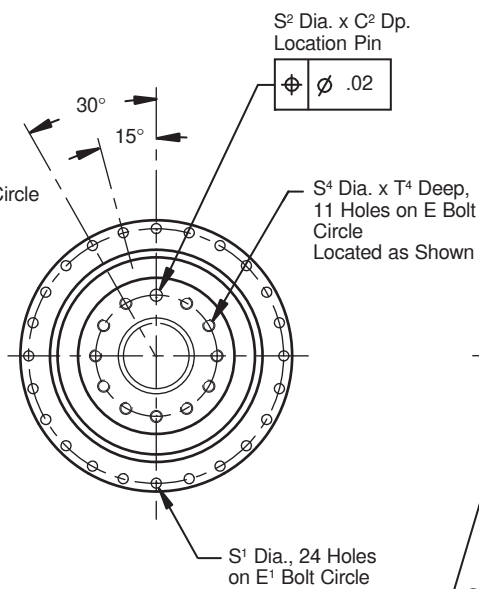
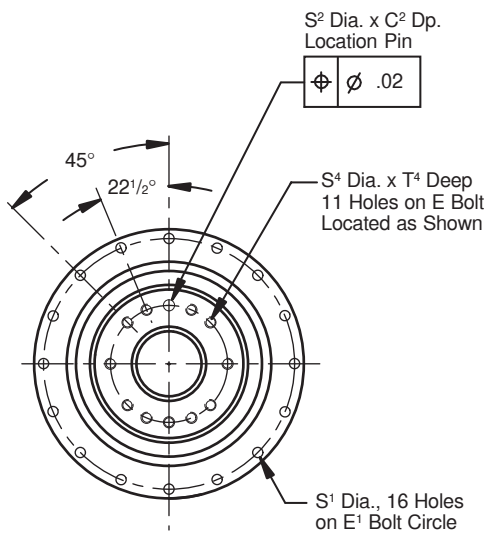
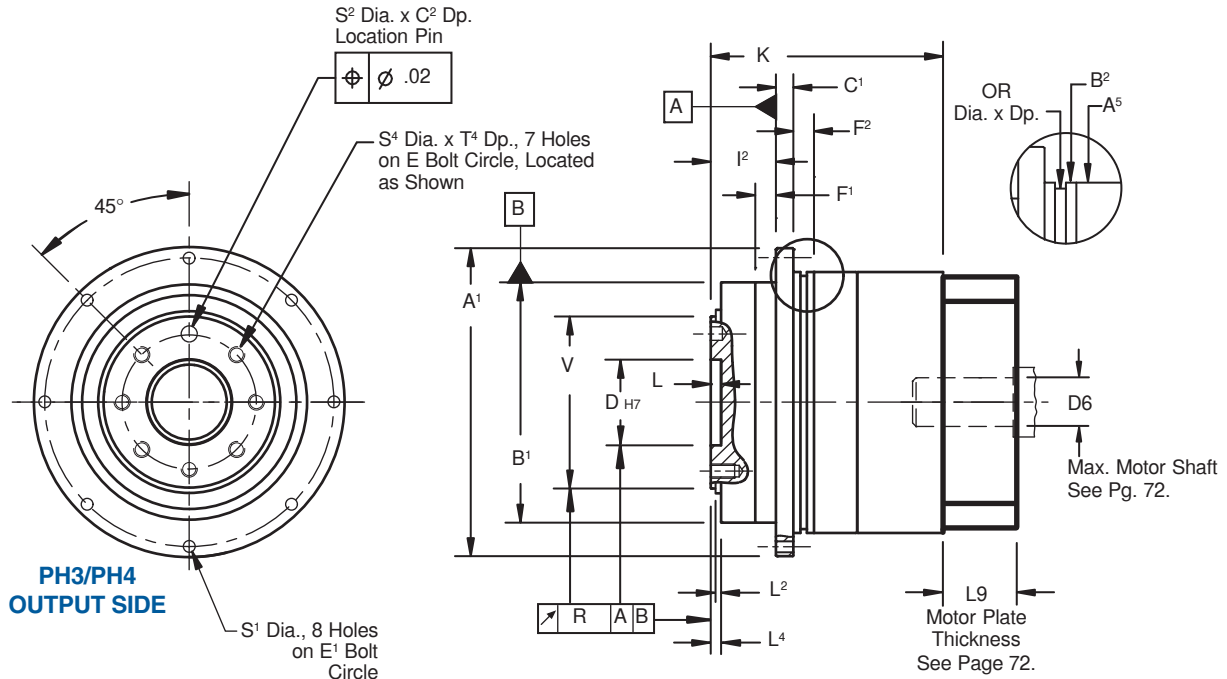


"PH" Series ServoFit® Precision Planetary Gearhead Dimensional Data



Drawing for Units
PH321 thru PH1033

P
H





"PH" Series ServoFit® Precision Planetary Gearhead Dimensional Data



Table No. 1 "PH" Series – Gearhead with Motor Plate – Dimensions (mm)

Unit	A ¹ h7	B ¹ h7	B ² h7	C ¹	C ²	D h7	E	E ¹	F ¹	F ²	I ²	L	L ²	L ⁴	OR
PH321/PH322	86 +.000/-0.035	64 +.000/-0.030	70 * +.000/-0.030	4	3	20 +.021/-0	31.5	79	7	8	19.5	4	3	3.5	65x2
PH421/PH422	118 +.000/-0.035	90 +.000/-0.035	95 +.000/-0.035	7	7	31.5 +.025/-0	50	109	10	10	30	6	6	6	90x3
PH521/PH522	145 +.000/-0.040	110 +.000/-0.035	120 * +.000/-0.035	8	7	40 +.025/-0	63	135	10	12	29	6	6	6	110x3
PH721/PH722	179 +.000/-0.040	140 +.000/-0.040	152 +.000/-0.040	10	7	50 +.025/-0	80	168	12	12	38	6	6	6	145x3
PH821/PH822	247 +.000/-0.046	200 +.000/-0.046	212 +.000/-0.046	12	10	80 +.030/-0	125	233	15	15	50	8	8	8	200x5
PH932/PHV933	300 —	255 +.000/-0.052	255 +.000/-0.052	18	—	90 +.035/-0	140	280	20	33	66	12	11	12	238x5
PH1032/PHV1033	330 —	285 +.000/-0.057	285 +.000/-0.052	20	—	95 +.035/-0	160	310	20	20	75	10	15	15	270x6

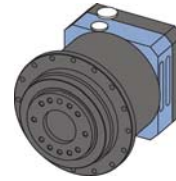
* Not applicable for PH322 and PH522.

Table No. 2 "PH" Series – Dimensions (mm)

Unit	R	S ¹	S ² H7	S ⁴	T ⁴	V h7
PH321/PH322	.020	4.5	5 +.012/-0.000	M5	7	40 +.000/-0.025
PH421/PH422	.020	5.5	6 +.012/-0.000	M6	11	63 +.000/-0.030
PH521/PH522	.020	5.5	6 +.012/-0.000	M6	11	80 +.000/-0.030
PH721/PH722	.025	6.6	8 +.015/-0.000	M8	14	100 +.000/-0.035
PH821/PH822	.030	9	10 +.015/-0.000	M10	18	160 +.000/-0.040
PH932/PHV933	.030	13.5	—	M16	24	180 +.000/-0.040
PH1032/PHV1033	.040	13.5	—	M20	30	200 +.000/-0.046



Typical 2 Stage Configuration



Typical ServoCool

Part No. Example
PH821F0050MTC

Table No. 3 "PH" Series – Dimensions (mm)

Standard			ServoCool		
Unit	A ⁵	K	Unit	A ⁵	K
PH321	70	80.5	—		
PH322	55	104	—		
PH421	95	99	PH421_C	98	122.5
PH422	72	146.5	—		
PH521	120	110	PH521_C	115	138
PH522	98	159.5	PH522_C	98	183
PH721	152	138	PH721_C	145	168
PH722	115	190	PH722_C	115	218
PH821	212	183	PH821_C	190	231
PH822	145	251	PH822_C	145	281
PH932	190	349.5	PH932_C	190	397.5
PHV933	152	269.5	PHV933_C	145	299.5
PH1032	190	366	PH1032_C	190	414
PHV1033	212	307	PHV1033_C	190	355

If a planetary gearhead is to be mounted from "B²" side, specify when ordering. For proper mounting the paint must be eliminated and the tolerance held on that surface.



Side "B²" mounting is not possible with the Large Input.

See Page 72 for Options and Part Number Configuration.

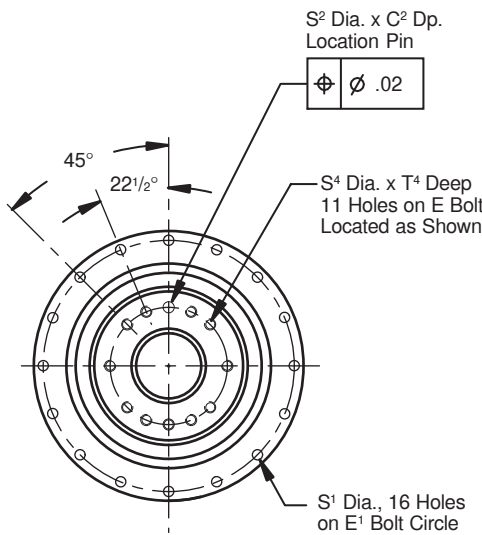
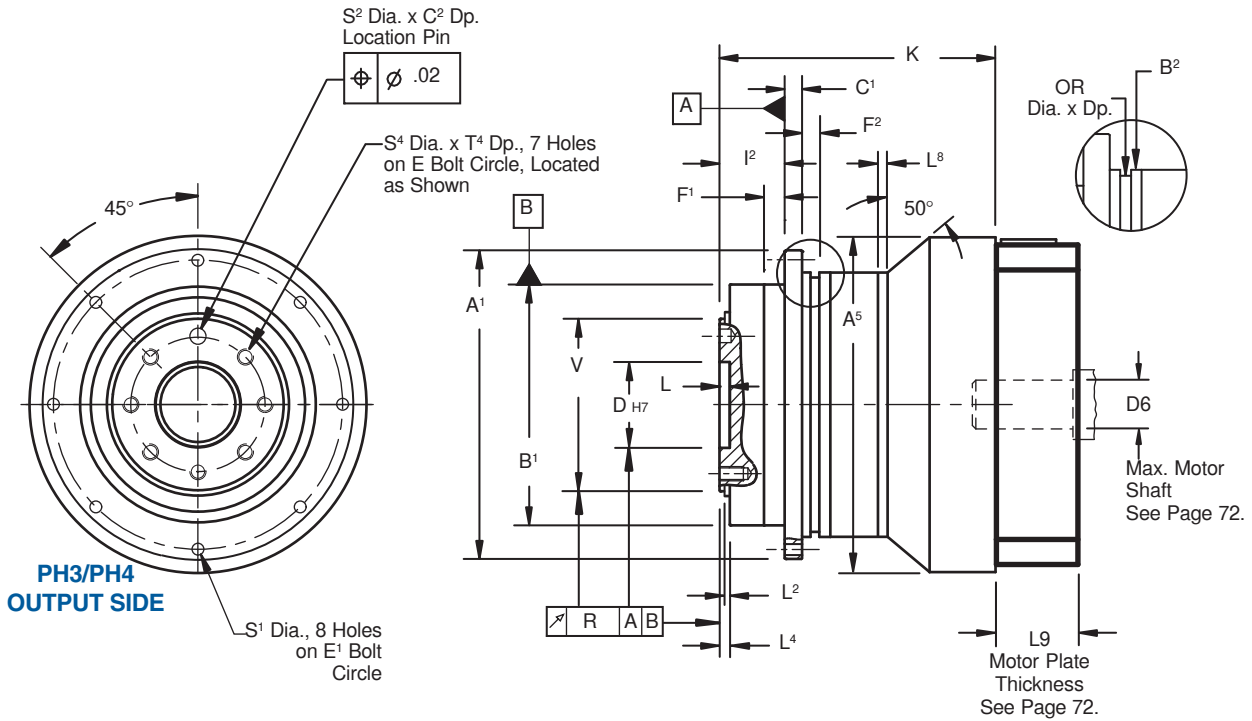


"PH" Series – Large Input ServoFit® Precision Planetary Gearhead Dimensional Data

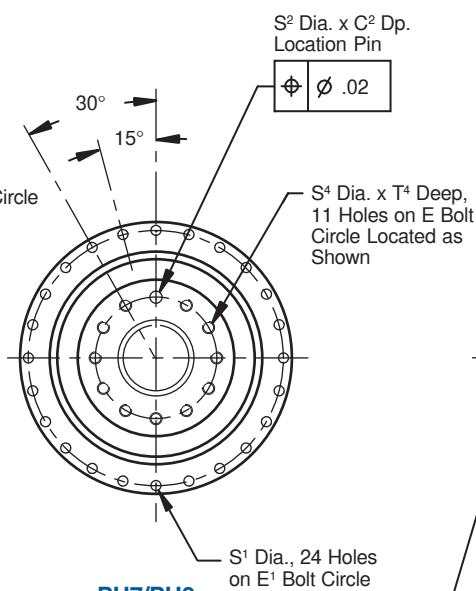


Drawing for Units
PH321_L thru PH1032_L

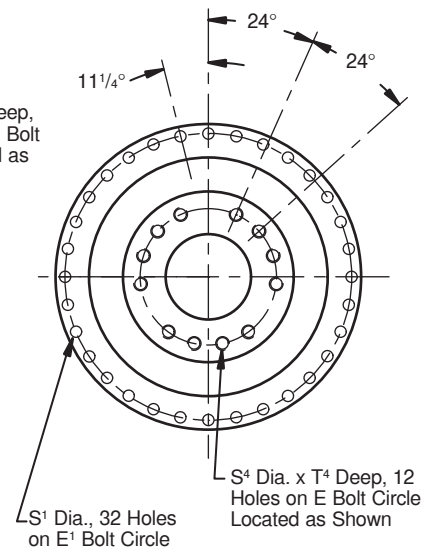
P
H



**PH5
OUTPUT SIDE**



**PH7/PH8
OUTPUT SIDE**



**PH9/PH10
OUTPUT SIDE**



"PH" Series – Large Input ServoFit® Precision Planetary Gearhead Dimensional Data



Table No. 1

"PH" Series – Gearhead with Motor Plate – Dimensions (mm)

Unit	A ¹ h7	B ¹ h7	B ² h7	C ¹	C ²	D H7	E	E ¹	F ¹	F ²	I ²	L	L ²	L ⁴	L ⁸
PH321/PH322_L	86 +.000/-0.035	64 +.000/-0.030	70 * +.000/-0.030	4	3	20 +.021/-0	31.5	79	7	8	19.5	4	3	3.5	5
PH421/PH422_L	118 +.000/-0.035	90 +.000/-0.035	95 +.000/-0.035	7	7	31.5 +.025/-0	50	109	10	10	30	6	6	6	5
PH521/PH522_L	145 +.000/-0.040	110 +.000/-0.035	120 * +.000/-0.035	8	7	40 +.025/-0	63	135	10	12	29	6	6	6	5
PH721/PH722_L	179 +.000/-0.040	140 +.000/-0.040	152 +.000/-0.040	10	7	50 +.025/-0	80	168	12	12	38	6	6	6	5
PH822_L	247 +.000/-0.046	200 +.000/-0.046	212 +.000/-0.046	12	10	80 +.030/-0	125	233	15	15	50	8	8	8	5
PH932/PHV933_L	300 —	255 +.000/-0.052	255 +.000/-0.052	18	—	90 +.035/-0	140	280	20	33	66	12	11	12	5
PH1032_L	330 —	285 +.000/-0.057	285 +.000/-0.052	20	—	95 +.035/-0	160	310	20	20	75	10	15	15	3

* Not applicable for PH322 and PH522.

Table No. 2 "PH" Series – Large Input – Dimensions (mm)

Unit	OR	R	S ¹	S ² H7	S ⁴	T ⁴	V h7
PH321/PH322_L	65x2	.020	4.5	5 +.012/-0.000	M5	7	40 +.000/-0.025
PH421/PH422_L	90x3	.020	5.5	6 +.012/-0.000	M6	10	63 +.000/-0.030
PH521/PH522_L	110x3	.020	5.5	6 +.012/-0.000	M6	11	80 +.000/-0.030
PH721/PH722_L	145x3	.025	6.6	8 +.015/-0.000	M8	14	100 +.000/-0.035
PH822_L	200x5	.030	9	10 +.015/-0.000	M10	18	160 +.000/-0.040
PH932/PHV933_L	238x5	.030	13.5	—	M16	24	180 +.000/-0.040
PH1032_L	270x6	.040	13.5	—	M20	30	200 +.000/-0.046

Table No. 3

Unit	A ⁵	K
PH321_L	95	80.5
PH322_L	72	104
PH421_L	120	99
PH422_L	98	146.5
PH521_L	152	110
PH522_L	115	159.5
PH721_L	212	138
PH722_L	145	190
PH822_L	190	251
PH932_L	225	349.5
PHV933_L	212	269.5
PH1032_L	225	366



Typical 2 Stage Configuration

Part No. Example
PH421F0050MTL

See Page 72 for Options and Part Number Configuration.