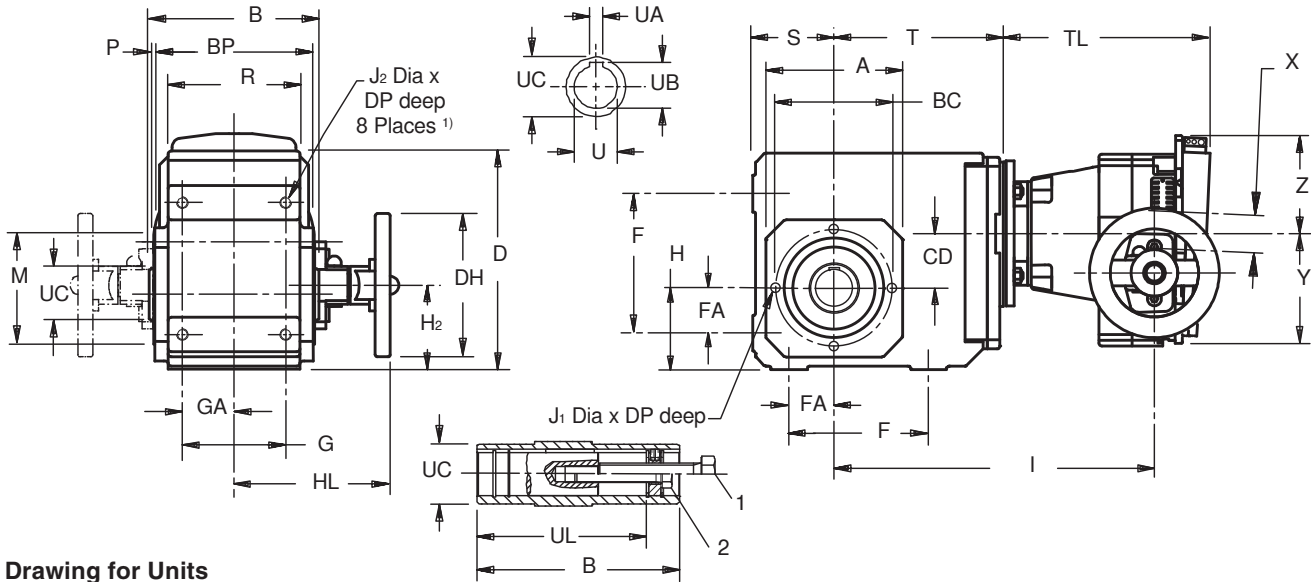




"K" Series – MGS® Adjustable Speed Drives Dimensional Data



Drawing for Units
K102AG – K403AG

Table No. 1 "K" Series – Tapped Hole Unit Dimensions (Inches) – "G" Housing Style

Base Module	A	B	D	F	G	H	M	Tolerance	P	R	S	Z ₁	BC	BP	FA	GA
K102	4.13	4.72	6.30	3.54	2.76	2.36	2.953	+0.007/-0.005	.12	3.54	2.36	—	3.54	4.41	1.18	1.38
K202/203	4.57	5.83	7.48	4.53	3.54	2.56	3.228	+0.007/-0.005	.12	4.53	2.56	—	3.94	5.28	1.38	1.77
K302/303	5.20	6.30	8.39	5.12	4.13	2.95	3.740	+0.007/-0.005	.12	5.12	2.95	—	4.53	5.75	1.57	2.07
K402/403	5.98	7.40	9.45	6.10	4.72	3.54	4.331	+0.007/-0.005	.14	5.83	3.54	—	5.12	6.81	1.97	2.36
K513/514	5.71	7.87	10.24	5.51	4.92	6.30	4.331	+0.007/-0.005	.14	6.30	3.94	5.98	5.12	7.28	1.57	2.46
K613/614	7.09	8.46	12.20	6.30	5.12	7.48	5.512	+0.008/-0.006	.14	6.61	4.72	6.77	6.50	7.87	1.97	2.56
K713/714	7.68	9.53	13.46	7.09	5.71	8.35	6.102	+0.008/-0.006	.14	7.48	4.92	7.52	7.28	8.90	2.17	2.85
K813/814	8.90	11.81	16.14	9.45	7.28	10.43	7.283	+0.010/-0.007	.16	9.25	5.71	8.11	8.46	11.10	2.95	3.64
K913/914	11.02	13.78	19.49	11.02	8.86	12.40	9.055	+0.010/-0.007	.20	11.22	7.09	9.84	10.43	12.99	3.74	4.43
K1013/K1014	13.39	16.14	23.27	13.78	12.99	14.76	9.646	+0.012/-0.008	.79	15.60	8.86	12.01	11.81	14.02	4.53	6.50

Table No. 2 "K" Series Bore Dimensions and Mounting Holes (Inches)

Base Module	U	Tolerance	UA	UB	UC	UL	1	J ₁ xDP	J ₂ xDP
K102	1.0000	+0.0008/-0.0000	.250	1.11	1.57	3.86	1/2-13	4, M8x.51	M8x.51 ¹⁾
K202/203	1.1875	+0.0010/-0.0000	.250	1.31	1.77	4.78	1/2-13	4, M8x.51	M10x.63
K302/303	1.3750	+0.0010/-0.0000	.312	1.52	1.97	4.92	5/8-11	4, M8x.51	M10x.63
K402/403	1.5000	+0.0010/-0.0000	.375	1.67	2.17	6.18	3/4-10	4, M10x.63	M12x.75
K513/514	2.0000	+0.0012/-0.0000	.500	2.13	2.56	6.46	3/4-10	8, M10x.63	M16x1.02
K613/614	2.0000	+0.0012/-0.0000	.500	2.23	2.76	7.05	3/4-10	8, M10x.63	M16x1.02
K713/714	2.3750	+0.0012/-0.0000	.625	2.66	3.35	8.43	1-8	8, M12x.75	M20x1.22
K813/814	2.7500	+0.0012/-0.0000	.625	3.03	3.94	10.35	1-8	8, M12x.75	M24x1.50
K913/914	3.2500	+0.0014/-0.0000	.750	3.59	4.33	11.89	1-8	8, M16x1.02	M30x1.89
K1013/K1014	4.0000	+0.0014/-0.0000	1.000	4.311	5.12	14.25	1 1/4-7	10, M20x1.30	1.54x1.77 ²⁾

Table No. 3 "K" Series – Unit Dimensions (Inches)

ComTrac Part No.	NEMA C-Flange	DH	HL	TL	X	Y	Z
TD270K050	56C	4.92	5.67	7.87	2.09	5.55	4.41
TD270K140	143/145TC	4.92	5.67	7.87	2.09	5.55	4.41
TD370K140	143/145TC	4.92	5.91	8.50	2.17	5.67	4.37
TD470K180	182/184TC	6.30	6.81	8.94	2.80	7.20	5.59
TD570K180	182/184TC	7.87	8.31	11.89	3.11	8.11	6.30
TD670K210	213/215TC	7.87	9.17	12.17	3.86	9.02	7.13
TD760K210	213/215TC	9.84	9.72	14.25	4.29	9.37	7.68

(1) Tapped hole are located on Side 2 of K1 units ONLY.

(2) This dimension is a clearance hole. The mounting feet are an integral part of the K10 housing.

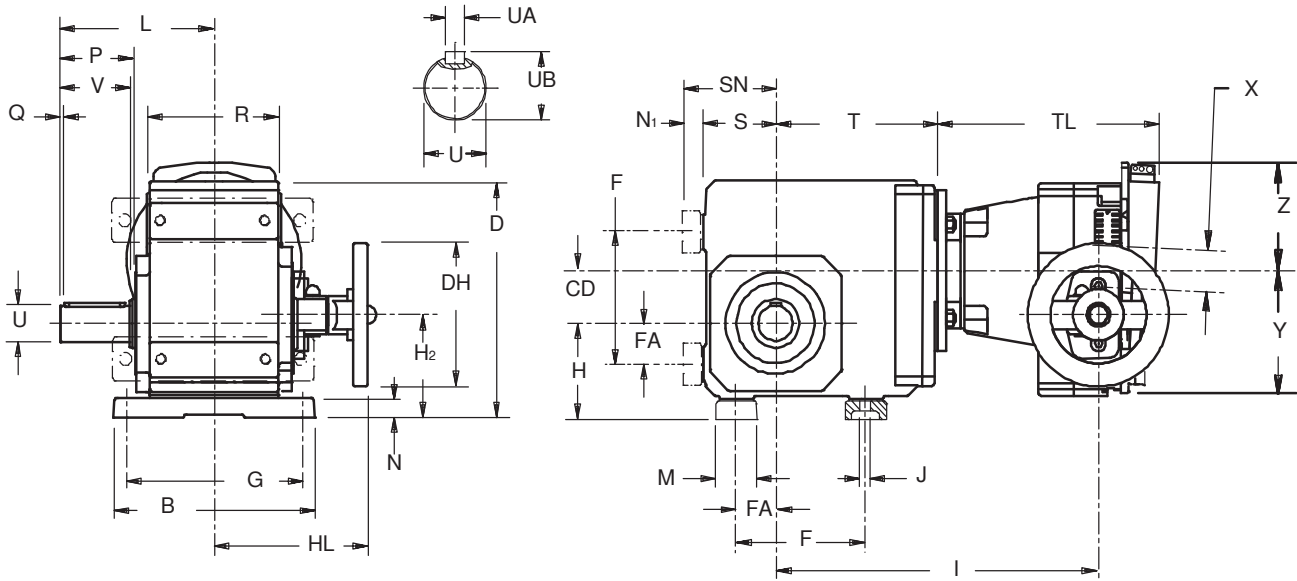
Part No. Example

Hollow Output — Tapped Hole Unit with ComTrac

K402AG0350 TD470K180-300



"K" Series – MGS® Adjustable Speed Drives Dimensional Data



Drawing for Units
K102VN — K403VN

Table No. 1 "K" Series – Foot Mounting Unit Dimensions (Inches) – "N" Housing Style

Base Module	B	D	F	G	H	J	L	M	N	O	P	Q	R	S	Z ₁	BO	FA	N ₁	SN
K102	5.51 ¹⁾	6.97	3.54	4.53	2.95	.35	4.53	1.18	.51	—	2.34	.16	3.54	2.36	—	—	1.18	.59	2.95
K202/203	7.28	8.39	4.53	6.10	3.46	.43	5.31	1.57	.79	—	2.56	.16	4.53	2.56	—	—	1.38	.91	3.46
K302/303	7.87	9.29	5.12	6.69	3.86	.43	5.59	1.77	.79	—	2.60	.16	5.12	2.95	—	—	1.57	.91	3.86
K402/403	9.06	10.43	6.10	7.87	4.53	.55	6.54	1.97	.87	—	3.39	.16	5.83	3.54	—	—	1.97	.98	4.53
K513/514	9.45	11.42	5.51	7.87	7.48	.71	8.74	2.36	1.06	5.10	3.90	.16	6.30	3.94	5.98	7.28	1.57	1.18	5.12
K613/614	9.84	13.39	6.30	8.27	8.66	.71	9.29	2.56	1.06	5.35	4.31	.16	6.61	4.72	6.77	7.87	1.97	1.18	5.91
K713/714	11.42	14.96	7.09	9.45	9.84	.87	10.91	2.76	1.38	6.46	5.14	.16	7.48	4.92	7.52	8.90	2.17	1.50	6.42
K813/814	14.17	17.91	9.45	11.81	12.20	1.02	12.83	3.35	1.61	7.28	5.94	.20	9.25	5.71	8.11	11.10	2.95	1.77	7.48
K913/914	16.93	21.46	11.02	14.17	14.37	1.30	15.16	3.74	1.81	8.66	7.13	.31	11.22	7.09	9.84	12.99	3.74	1.97	9.06
K1013/K1014	15.75 ¹⁾	23.27	12.99	13.78	14.76	1.54	16.46	4.72	1.77	9.45	8.66	.59	15.75	8.86	12.01	15.75	6.10	1.77	8.86

Table No. 2 "K" Series – Shaft Dimensions (Inches)

Base Module	U	Tolerance	V	UA—Key	UB
K102	1.0000	+0.0000/-0.0006	1.97	1/4 × 1/4 × 1 1/2	1.11
K202/203	1.2500	+0.0000/-0.0007	2.36	1/4 × 1/4 × 1 5/16	1.36
K302/303	1.2500	+0.0000/-0.0007	2.36	1/4 × 1/4 × 1 5/16	1.36
K402/403	1.3750	+0.0000/-0.0007	2.76	5/16 × 5/16 × 2 5/16	1.51
K513/514	1.7500	+0.0000/-0.0007	3.54	3/8 × 3/8 × 3 5/32	1.92
K613/614	1.7500	+0.0000/-0.0007	3.94	3/8 × 3/8 × 3 5/32	1.92
K713/714	2.3750	+0.0000/-0.0008	4.72	5/8 × 5/8 × 3 15/16	2.65
K813/814	2.8750	+0.0000/-0.0008	5.51	3/4 × 3/4 × 4 5/16	3.21
K913/914	3.6250	+0.0000/-0.0009	6.69	7/8 × 7/8 × 5 1/2	4.01
K1013/K1014	4.3750	+0.0000/-0.0009	8.27	1 × 1 × 7	4.82

¹⁾ Mounting feet can be bolted to Side 2 of K1 units ONLY.
Mounting feet are an integral part of the K10 housing.

Part No. Example
Foot Mounting Unit with ComTrac
K402VN0350 TD470K180-300

Table No. 3 "K" Series – Unit Dimensions (Inches)

ComTrac Part No.	NEMA C-Flange	DH	HL	TL	X	Y	Z
TD270K050	56C	4.92	5.67	7.87	2.09	5.55	4.41
TD270K140	143/145TC	4.92	5.67	7.87	2.09	5.55	4.41
TD370K140	143/145TC	4.92	5.91	8.50	2.17	5.67	4.37
TD470K180	182/184TC	6.30	6.81	8.94	2.80	7.20	5.59
TD570K180	182/184TC	7.87	8.31	11.89	3.11	8.11	6.30
TD670K210	213/215TC	7.87	9.17	12.17	3.86	9.02	7.13
TD760K210	213/215TC	9.84	9.72	14.25	4.29	9.37	7.68



"K" Series – MGS® Adjustable Speed Drives Dimensional Data

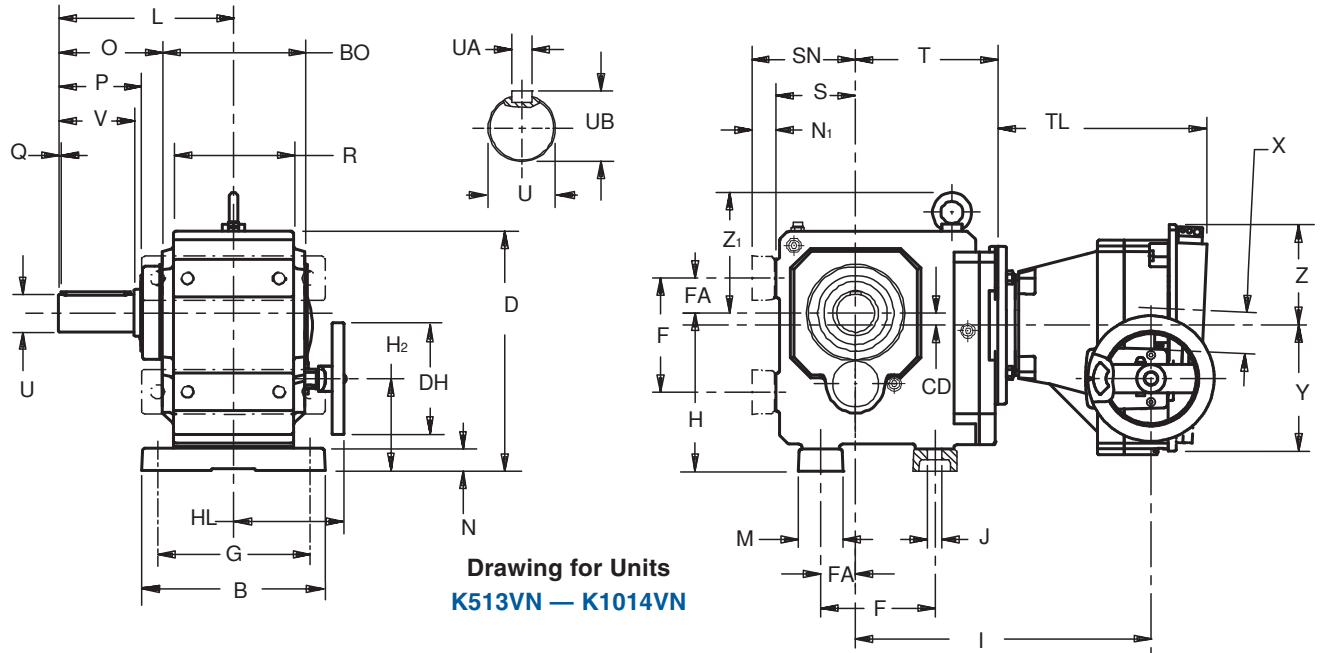


Table No. 4 "K" Series – Unit Dimensions (Inches) – "N" Housing Style

Base	Module	CD	TD270K050 ⁽³⁾			TD370K140			TD470K180			TD570K180			TD670K210			TD760K210		
			H ₂	I	T	H ₂	I	T	H ₂	I	T	H ₂	I	T	H ₂	I	T	H ₂	I	T
K102	1.42	2.20	7.87	5.04	1.73	8.50	5.04	—	—	—	—	—	—	—	—	—	—	—	—	—
K202	1.81	2.80	11.97	5.79	2.32	12.64	5.79	1.17	12.76	5.87	—	—	—	—	—	—	—	—	—	—
K203	1.81	—	—	—	—	—	—	—	—	—	—	—	—	—	—	—	—	—	—	—
K302	2.07	3.44	12.76	6.57	2.97	13.43	6.57	2.42	13.54	6.65	1.67	16.18	6.65	—	—	—	—	—	—	—
K303	.63	2.01	14.45	8.27	1.54	15.12	8.27	—	—	—	—	—	—	—	—	—	—	—	—	—
K402	2.36	—	—	—	3.86	14.21	7.36	3.31	14.33	7.44	2.56	16.97	7.44	2.36	17.28	7.56	—	—	—	—
K403	.91	2.87	15.24	9.06	2.40	15.91	9.06	—	—	—	—	—	—	—	—	—	—	—	—	—
K513	.59	—	—	—	3.66	13.62	6.77	3.11	13.74	6.85	2.36	16.38	6.85	2.17	16.69	6.97	—	—	—	—
K514	.59	4.13	14.65	8.46	3.66	15.31	8.46	—	—	—	—	—	—	—	—	—	—	—	—	—
K613	.71	—	—	—	—	—	—	4.17	14.49	7.60	3.43	17.13	7.60	3.23	17.44	7.72	3.23	19.88	8.27	—
K614	.71	5.20	15.39	9.21	4.72	16.06	9.21	—	—	—	—	—	—	—	—	—	—	—	—	—
K713	.79	—	—	—	—	—	—	4.96	15.59	8.70	4.21	18.23	8.70	4.02	18.54	8.82	4.02	20.94	9.33	—
K714	.79	5.98	16.54	10.35	5.51	17.20	10.35	4.96	18.03	11.14	4.21	20.67	11.14	—	—	—	—	—	—	—
K813	.94	—	—	—	—	—	—	—	—	—	6.14	19.25	9.72	5.94	19.53	9.80	5.94	21.93	10.31	—
K814	.94	—	—	—	—	—	—	6.89	19.02	12.13	6.14	21.65	12.13	—	—	—	—	—	—	—
K913	.98	—	—	—	—	—	—	—	—	—	—	—	—	7.87	21.30	11.57	7.87	23.70	12.09	—
K914	.98	—	—	—	—	—	—	8.82	20.79	13.90	8.07	23.43	13.90	7.87	24.09	14.37	—	—	—	—
K1013	1.10	—	—	—	—	—	—	—	—	—	—	—	—	—	—	—	10.11	14.25	15.43	—
K1014	1.10	—	—	—	—	—	—	—	—	—	—	—	—	10.11	12.16	17.72	10.11	14.25	18.70	—

⁽³⁾ Also available for a NEMA 143TC frame motor.

Table No. 5 "K" Series with ComTrac – Approximate Weight (lbs.)

Part Number	K102	K202	K302	K303	K402	K403	K513	K514	K613	K614	K713	K714	K813	K814	K913	K914	K1013	K1014
TD270K050 ⁽²⁾	64	73	100	106	—	133	—	142	—	210	—	267	—	—	—	—	—	—
TD370K140	82	91	118	124	144	151	157	160	—	228	—	285	—	—	—	—	—	—
TD470K180	—	99	126	—	152	—	165	—	229	—	280	293	—	390	—	589	—	—
TD570K180	—	—	155	—	181	—	184	—	258	—	309	322	397	410	—	618	—	—
TD670K210	—	—	—	—	223	—	236	—	300	—	351	—	439	—	638	660	—	1123
TD760K210	—	—	—	—	—	—	—	—	364	—	415	—	503	—	702	—	1107	1187

⁽²⁾ Also available as TD270K140 for a NEMA 143TC frame motor.