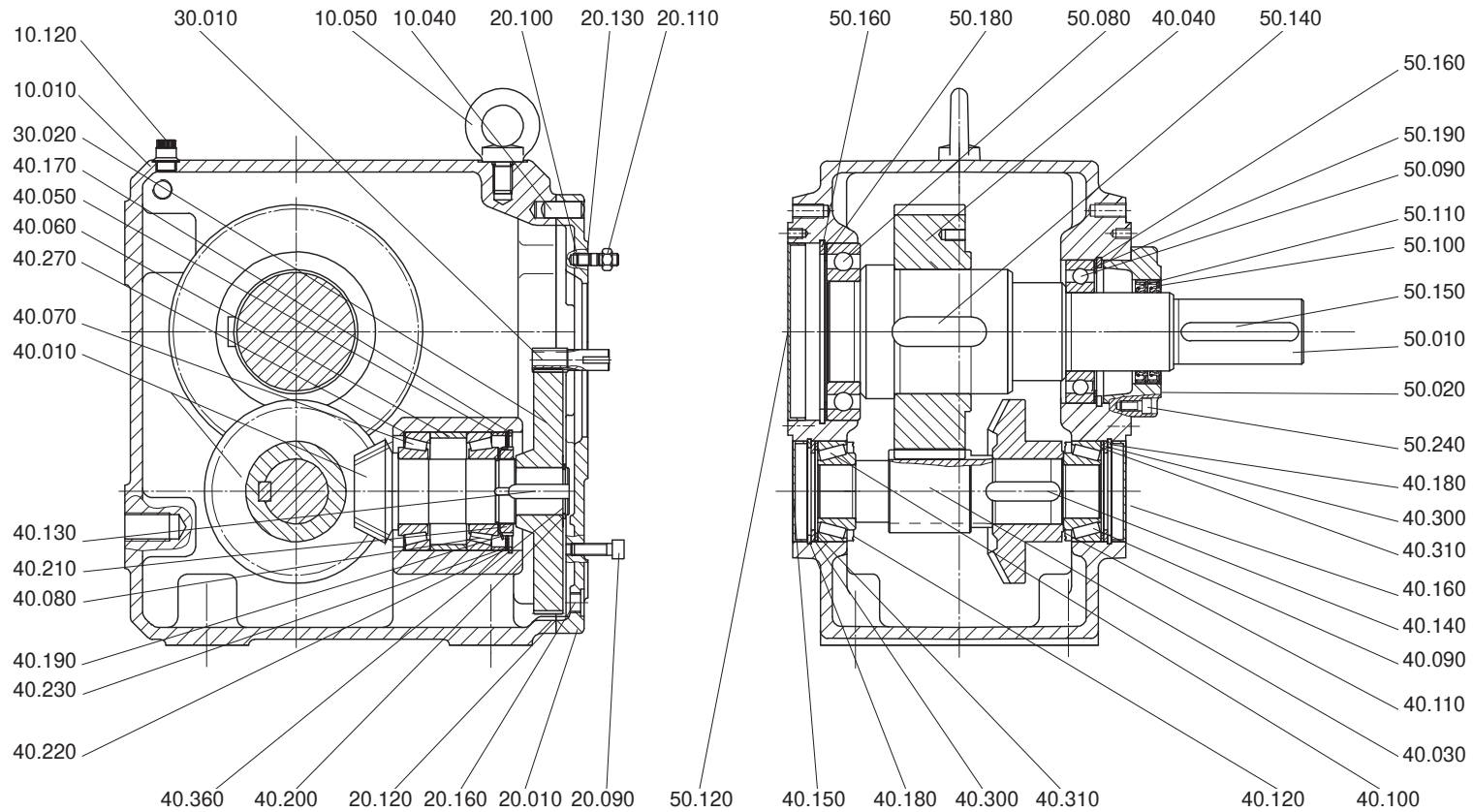




# "K" Series – Right Angle Helical/Bevel Reducer

## "G" Housing Style — Tapped Holes — Shaft Output

### K613VG to K713VG



When ordering replacement parts, specify the "Part No." and "Serial No." from the nameplate and the "Location No." shown on the above drawing.  
STÖBER Drives Inc. • 1781 Downing Drive • Maysville, KY 41056 • Phone: 606 759-5090 • FAX: 606 759-5045 • [www.stober.com](http://www.stober.com)



# "K" Series – Right Angle Helical/Bevel Reducer

## "G" Housing Style — Tapped Holes — Shaft Output

### K613VG to K713VG

#### Parts List for Triple Reduction — "G" Housing Style — Shaft Output

Location No.	Description	Location No.	Description	Location No.	Description
10.010	Housing	40.070	Tapered Roller Bearing	40.300	Spacer
10.040	Roll Pin	40.080	Tapered Roller Bearing	40.310	Shim
10.050	Eye Bolt	40.090	Tapered Roller Bearing	40.360	Shim
10.120	Breather	40.100	Tapered Roller Bearing	50.010	Output Shaft
20.010	Cover	40.110	Nilos Ring	50.020	Output Cover
20.090	Hollow Head Capscrew	40.120	Nilos Ring	50.080	Deep Grooved Ball Bearing
20.100	Stud	40.130	Key	50.090	Deep Grooved Ball Bearing
20.110	Nut	40.140	Key	50.100	Oil Seal
20.120	Sealing Compound	40.150	End Cap	50.110	Oil Seal
20.130	Gasket	40.160	End Cap	50.120	End Cap
20.160	Plug	40.170	Snap Ring	50.140	Key
30.010	Stem Pinion	40.180	Snap Ring	50.150	Key
30.020	Gear	40.190	Safety Plate	50.160	Snap Ring
40.010	Bevel Pinion with Gear	40.200	Snap Ring	50.180	Shim
40.030	Intermediate Pinion Shaft	40.210	Nut	50.190	Shim
40.040	Gear	40.220	Shim	50.240	Hollow Head Capscrew
40.050	Spacer (K613)	40.230	Shim		
40.060	Spacer	40.270	Shim		

When ordering replacement parts, specify the "Part No." and "Serial No." from the nameplate and the "Location No." shown on the above drawing.  
 STÖBER Drives Inc. • 1781 Downing Drive • Maysville, KY 41056 • Phone: 606 759-5090 • FAX: 606 759-5045 • [www.stober.com](http://www.stober.com)